

(12) **United States Patent**
Chew et al.

(10) **Patent No.:** **US 8,945,103 B2**
(45) **Date of Patent:** **Feb. 3, 2015**

(54) **CONTACT PROBE FOR THE DELIVERY OF LASER ENERGY**

(75) Inventors: **Paul T. K. Chew**, Singapore (SG);
David M. Buzawa, San Jose, CA (US);
Giorgio Dorin, Cupertino, CA (US)

(73) Assignee: **IRIDEX Corporation**, Mountain View, CA (US)

(*) Notice: Subject to any disclaimer, the term of this patent is extended or adjusted under 35 U.S.C. 154(b) by 1684 days.

(21) Appl. No.: **12/261,889**

(22) Filed: **Oct. 30, 2008**

(65) **Prior Publication Data**

US 2010/0076419 A1 Mar. 25, 2010

Related U.S. Application Data

(60) Provisional application No. 60/983,811, filed on Oct. 30, 2007.

(51) **Int. Cl.**
A61F 9/008 (2006.01)
A61F 9/007 (2006.01)

(52) **U.S. Cl.**
CPC **A61F 9/008** (2013.01); **A61F 9/00781** (2013.01); **A61F 2009/00868** (2013.01)
USPC **606/6**

(58) **Field of Classification Search**
USPC 606/4, 6, 10, 12, 13
See application file for complete search history.

(56) **References Cited**

U.S. PATENT DOCUMENTS

5,372,595 A *	12/1994	Gaasterland et al.	606/4
5,549,596 A *	8/1996	Latina	606/4
6,059,772 A *	5/2000	Hsia et al.	606/4
2006/0021623 A1 *	2/2006	Miller et al.	128/898
2006/0187978 A1 *	8/2006	Telfair et al.	372/25

OTHER PUBLICATIONS

Tan et al., "Mircopulse Transsclear Diode Laser Cyclophotocoagulation in the Treatment of Refractory Glaucoma," *Clinical and Experimental Ophthalmology*, 38:266-272 (2010).

(Continued)

Primary Examiner — Ryan Severson

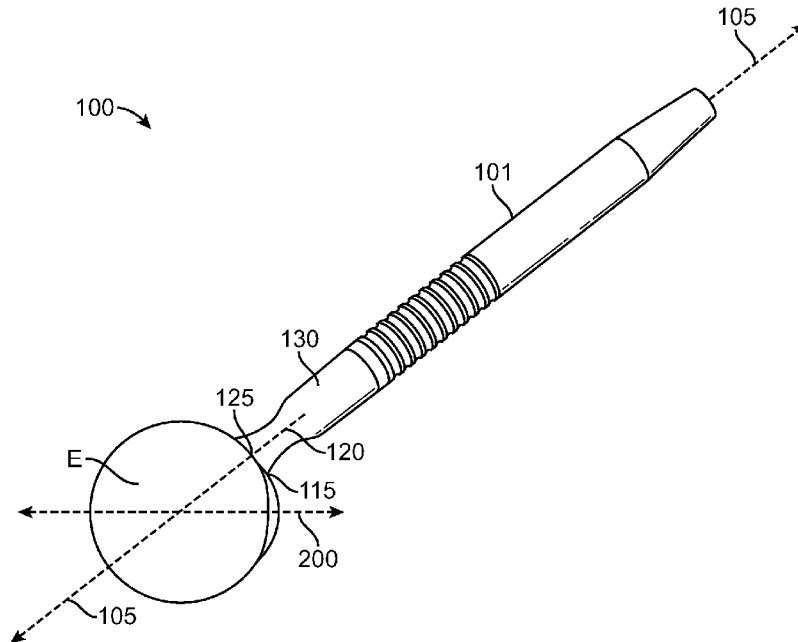
Assistant Examiner — Anh Dang

(74) *Attorney, Agent, or Firm* — Kilpatrick Townsend and Stockton LLP

(57) **ABSTRACT**

Systems, devices, and methods for treating a glaucomatous eye are provided. An amount of pulsed laser energy is delivered to the pars plana of the eye by a hand-holdable device which comprises a hand-holdable elongate member and a contact member disposed on an end of the elongate member. A contact surface of the contact member is placed in direct contact with the eye so that a reference edge of the contact member aligns with the limbus and a treatment axis defined by the elongate member is angularly offset from the optical axis of the eye. The amount of pulsed laser energy delivered is insufficient to effect therapeutic photocoagulation but is sufficient to increase uveoscleral outflow so as to maintain a reduction from pre-laser treatment intraocular pressure. Amounts of pulsed laser energy will be transmitted to a circumferential series of tissue regions of the eye.

24 Claims, 9 Drawing Sheets



(56)

References Cited

OTHER PUBLICATIONS

Goel, Manik et al., "Aqueous Humor Dynamics: A Review" *The Open Ophthalmology Journal*, 2010, vol. 4, pp. 52-59.

Gaasterland et al., "Initial Experience With a New Method of Laser Transscleral Cyclophotocoagulation for Ciliary Ablation in Severy Galucoma", *Tr. Am. Ophth. Soc.*, vol. LXXXX, 1992, 22 pages.

Iridex, G-Probe™ Operator Manual 13105-EN Rev D May 2013, 17 pages.

Kosoko et al., "Long-Term Outcome of Initial Ciliary Ablation With Contact Diode Laser Transscleral Cyclophotocoagulation for Severe Glaucoma", *Ophthalmology*, vol. 103, No. 8, Aug. 1996, 9 pages.

Shields, edited by Thomas, MD et al., "Surgical Anatomy in Glaucoma. Glaucoma Surgery", Harvard Medical School, Massachusetts Eye and Ear Infirmary, Boston, Massachusetts, Mosby Year Book, 1992, 5 pages.

* cited by examiner

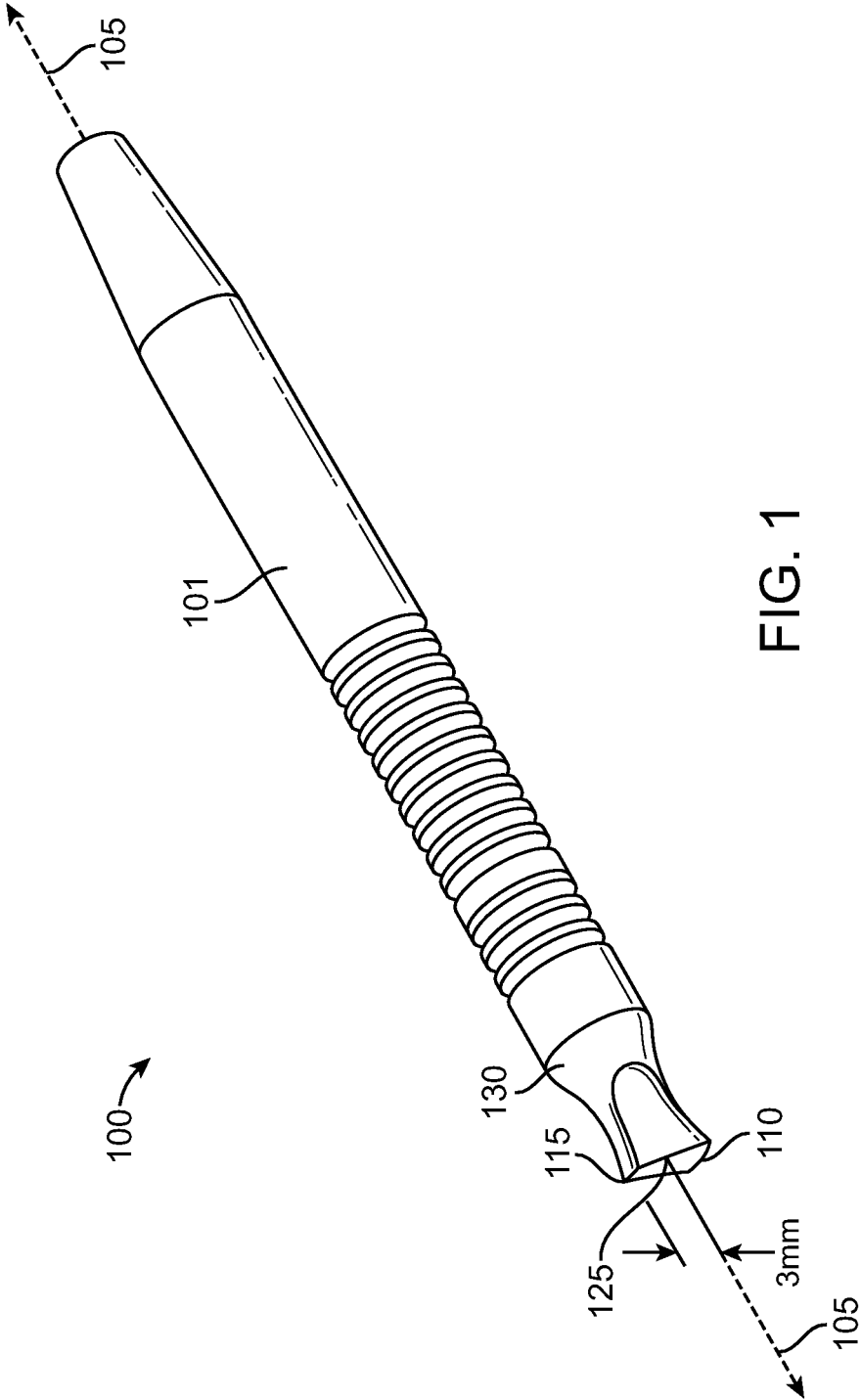


FIG. 1

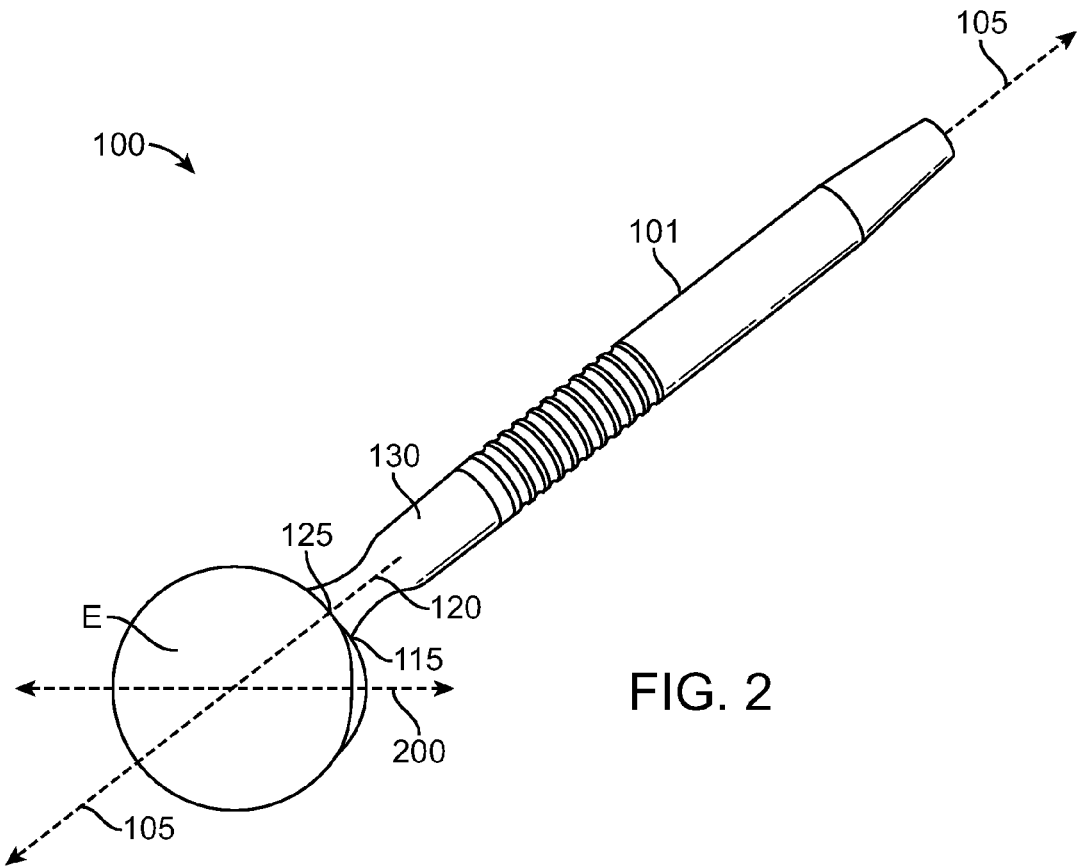


FIG. 2

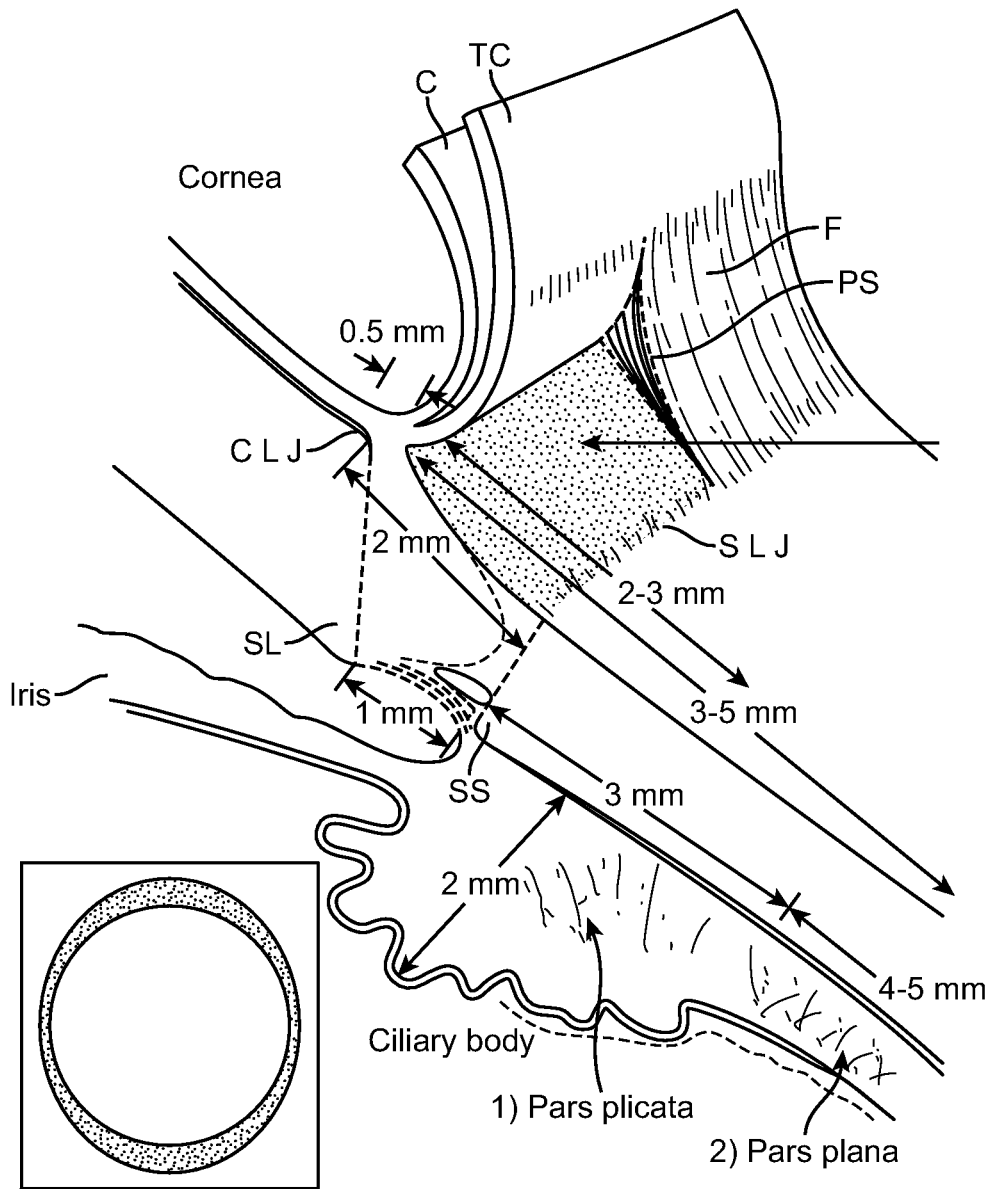


FIG. 3

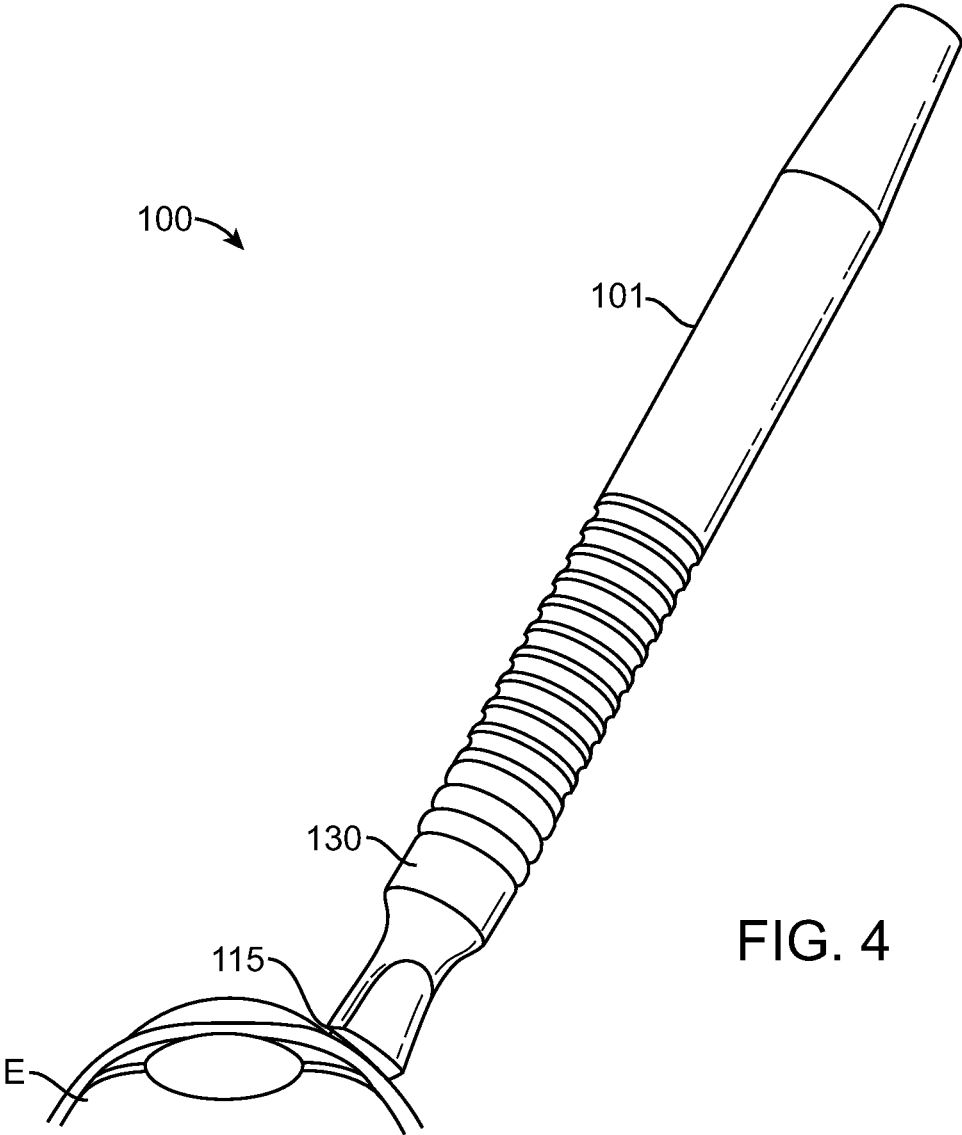


FIG. 4

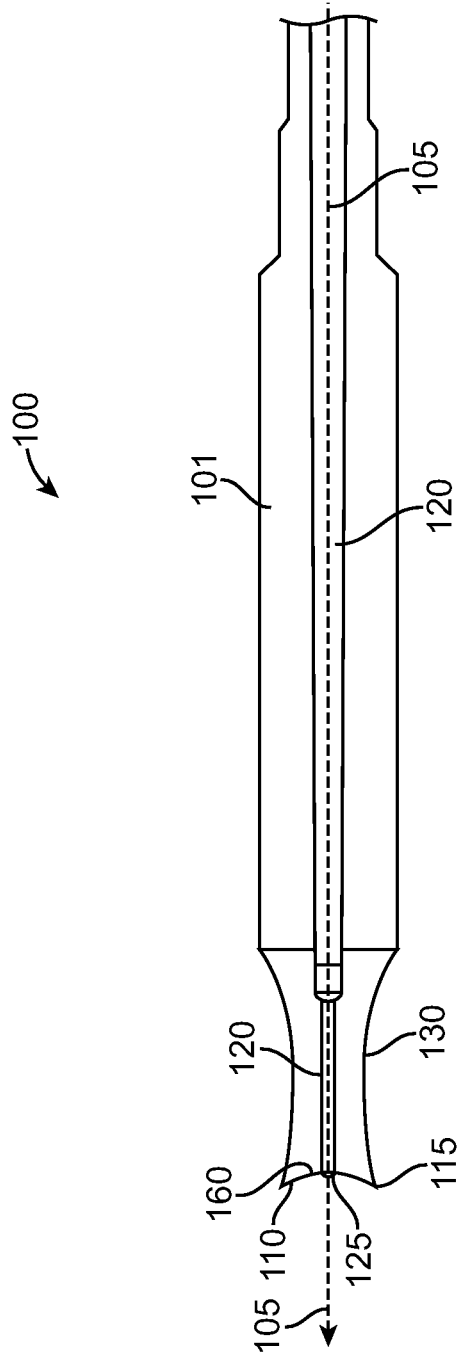


FIG. 5

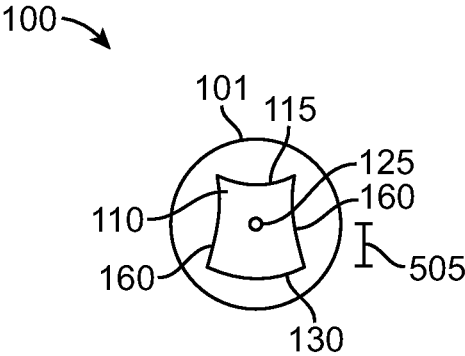


FIG. 5A

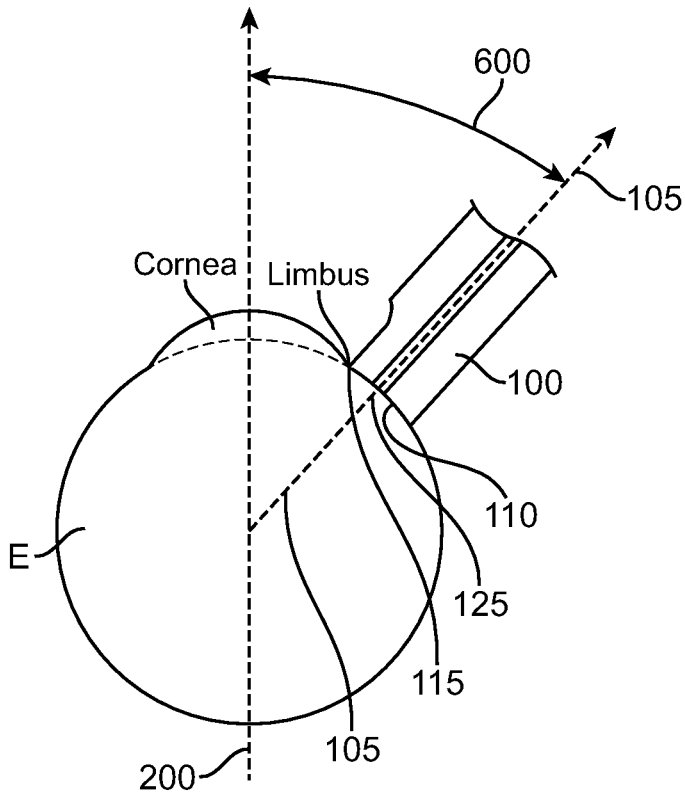


FIG. 6A

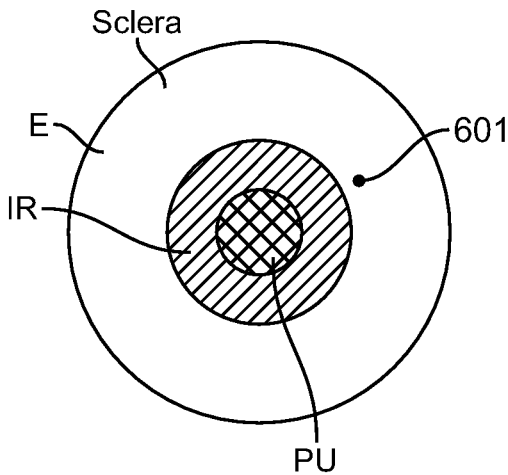


FIG. 6B

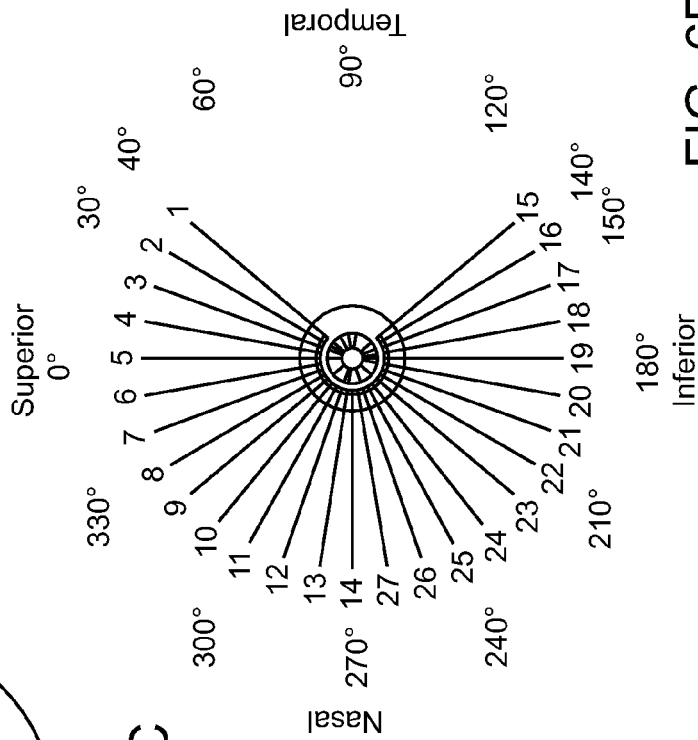
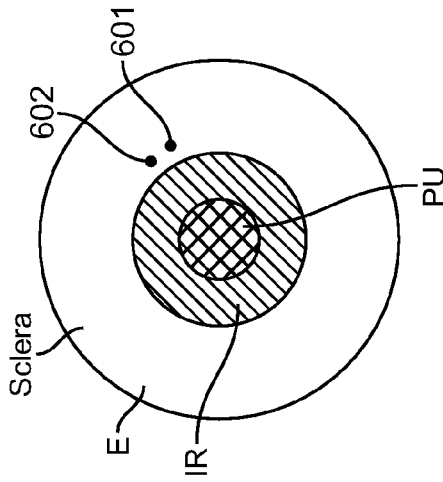


FIG. 6E
Application Sites
and Sequence (Left Eye)

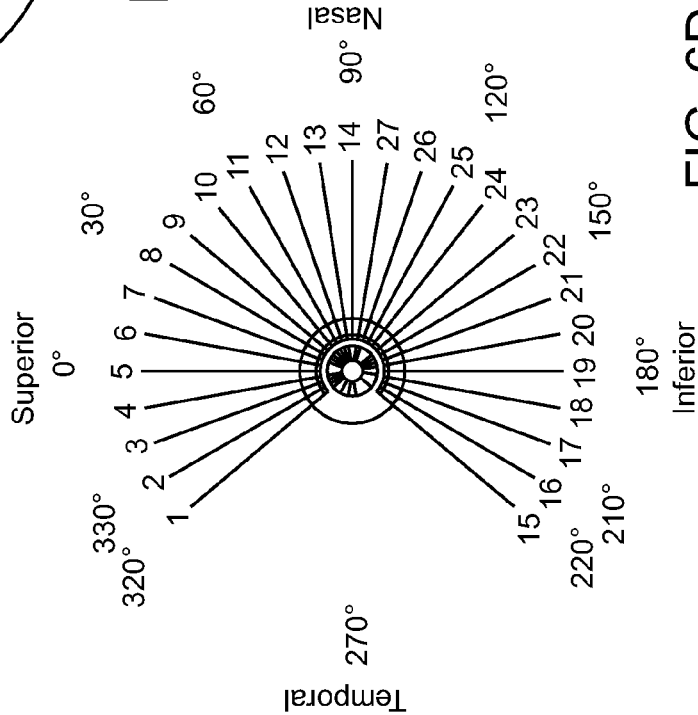


FIG. 6D
Application Sites
and Sequence (Right Eye)

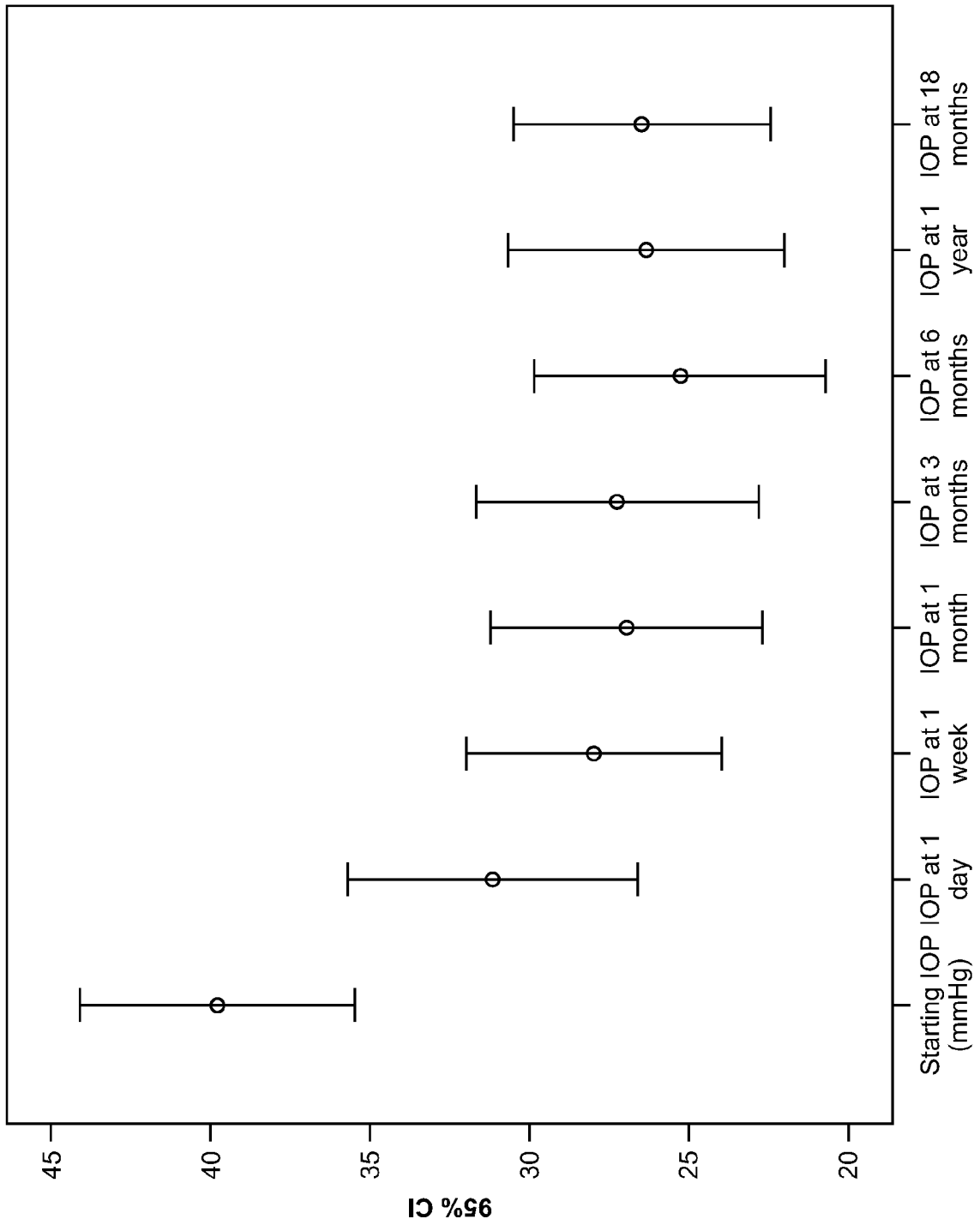


FIG. 7

1

CONTACT PROBE FOR THE DELIVERY OF LASER ENERGY

CROSS-REFERENCES TO RELATED APPLICATIONS

The present application claims the benefit under 35 USC 119(e) of U.S. Provisional Application No. 60/983,811, filed Oct. 30, 2007 and entitled "Contact Probe for the Delivery of Laser Energy", the full disclosure of which is incorporated herein by reference in its entirety.

BACKGROUND OF THE INVENTION

Field of the Invention

The present invention is directed generally to medical devices, systems, and methods, particularly for treatment of an eye. In particular, embodiments of the present invention are directed toward contact probes for the delivery of laser energy, and more particularly to contact probes that are used for lowering the intraocular pressure (IOP) in human eyes afflicted with glaucoma. Even more specifically, the present invention is directed toward laser therapy for lowering IOP in glaucomatous eyes via transconjunctival/transcleral ab-externo treatment with infrared laser energy directed to pigmented intraocular cells of the pars plana and/or the posterior portion of the pars plicata.

Glaucoma is a leading cause of blindness. Glaucoma involves the loss of retinal ganglion cells in a characteristic pattern of optic neuropathy. Untreated glaucoma can lead to permanent damage of the optic nerve and resultant visual field loss, which can progress to blindness. The loss of visual field due to glaucoma often occurs gradually over a long time and may only be recognized when the loss is already quite advanced. Once lost, this damaged visual field can never be recovered.

Raised intraocular pressure (IOP) is a significant risk factor for developing glaucoma. IOP is a function of production of aqueous humor by the ciliary body of the eye and its drainage through the trabecular meshwork and all other outflow pathways including the uveoscleral pathway. Aqueous humor is a complex mixture of electrolytes, organics solutes, and other proteins that supply nutrients to the non-vascularized tissues of the anterior chamber of the eye. It flows from the ciliary bodies into the posterior chamber, bounded posteriorly by the lens and the ciliary zonule and bounded anteriorly by the iris. Aqueous humor then flows through the pupil of the iris into the anterior chamber, bounded posteriorly by the iris and anteriorly by the cornea. In the conventional aqueous humor outflow path, the trabecular meshwork drains aqueous humor from the anterior chamber via Schlemm's canal into scleral plexuses and the general blood circulation. In open angle glaucoma there is reduced flow through the trabecular meshwork. In angle closure glaucoma, the iris is pushed forward against the trabecular meshwork, blocking fluid from escaping.

Uveoscleral outflow is a non-conventional pathway that is assuming a growing importance in the management of glaucoma. In uveoscleral outflow, aqueous humor enters the ciliary muscles from the anterior chamber and exits through the supraciliary space and across the anterior or posterior sclera. Uveoscleral outflow may contribute significantly to total aqueous humor outflow.

Currently, glaucoma therapies aim to reduce IOP by either limiting the production of aqueous humor or by increasing the outflow of aqueous humor. Medications such as beta-block-

2

ers, carbonic anhydrase inhibitors, etc., are used as the primary treatment to reduce the production of aqueous humor. Medications may also be used as the primary therapy to increase the outflow of the aqueous humor. Miotic and cholinergic drugs increase the trabecular outflow, while prostaglandin drugs, for example, Latanoprost and Bimatoprost, increase the uveoscleral outflow. These drugs, however, are expensive and have undesirable side effects, which can cause compliance-dependent problems over time.

Surgery may also be used to increase the outflow or to lower the production of aqueous humor. Laser trabeculoplasty is the application of a laser beam over areas of the trabecular meshwork to increase the outflow. Cyclocryotherapy and laser cyclophotocoagulation are surgical interventions over the ciliary processes to lower the production of aqueous humor. Although they may be effective, these destructive surgical interventions are normally used as a last resource in the management of glaucoma due to the risk of the severe complication of phthisis bulbi. Other adverse side effects of cyclodestructive surgical procedures may include ocular hypotony and inflammation of the anterior eye segment, which may be associated with an increased incidence of macula complications. Still other adverse side effects include transient hyphaema and exudates in the anterior chamber, uveitis, visual loss, and necrotizing scleritis.

In laser transscleral cyclophotocoagulation, a continuous wave (CW) of high intensity infrared laser energy is directed toward selected portions of the pars plicata region of the ciliary body, structures under the scleral layers and the overlying conjunctiva. Selected portions of the ciliary body and related processes are permanently destroyed, thereby decreasing the overall production of aqueous humor. Laser energy may be directed through air to a patient seated at a special slit lamp. Alternatively, laser energy may be delivered through the use of fiber optic handpieces placed in contact with the patient's eyeball. In both laser energy delivery methods, however, accurately and repeatedly directing a laser beam a subsurface non-visible target such as the ciliary body can be challenging for a surgeon. Thus, contact handpiece probes (for example, the G-Probe available through IRIDEX Corporation of Mountain View, Calif. and described in U.S. Pat. No. 5,372,595, the full disclosure of which is incorporated herein by reference in its entirety) have been designed to facilitate the aiming of a laser toward the pars plicata region of the ciliary body. The G-Probe, for example, has special contours that facilitate consistent placement and aiming of the probe relative to external landmark structures of the eye, thereby guiding the correct treatment and decreasing the likelihood of incidental laser exposure to unintended structures. However, the risk of phthisis bulbi due to the permanent destruction of portions of the ciliary body still remains unavoids.

In light of the above, there is a need for laser-based methods and devices for the treatment of glaucomatous eyes which avoid many of the shortcomings described above.

BRIEF SUMMARY OF THE INVENTION

Embodiments of the present invention provide systems, devices, and methods for treating an eye, in particular examples, a glaucomatous eye. An amount of laser energy is delivered to the pars plana of the eye by a hand-holdable device. This device comprises a hand-holdable elongate member and a contact member disposed on an end of the elongate member. A contact surface of the contact member is placed in direct contact with the eye so that a reference edge of the contact member aligns with an external reference fea-

ture of the eye, usually the limbus, and a treatment axis defined by the elongate member may form a predetermined, non-zero angle with the optical axis of the eye. Typically, amounts of laser energy are applied to the eye in an annular pattern positioned significantly posterior to that typically used for cyclodestructive procedures, thus avoiding most or all photocoagulation of the ciliary bodies. The delivered laser energy dose is still sufficient to effect a reduction of intraocular pressure. This reduction may endure for long periods after treatment. Thus, this invention effects a long-term reduction in intraocular pressure while reducing or avoiding permanent destruction of aqueous producing structures in the eye and undesired thermal damage to adjacent tissue structures, both of which are typical of conventional laser cyclophotocoagulation procedures.

Accordingly, an object of the present invention is to provide an improved laser energy delivery handpiece.

Another object of the present invention is to provide a laser energy delivery handpiece with a handpiece axis that is substantially perpendicular to the eye, i.e., substantially normal to the surface of the eye.

Another object of the present invention is to provide a laser energy delivery handpiece that has a contact surface with a single radius of curvature across the contact surface.

Still another object of the present invention is to provide a laser energy delivery handpiece that has a contact surface with substantially no sharp edges.

A further object of the present invention is to provide a laser energy delivery handpiece with a contoured contact surface and a protruding hemispherical laser output tip.

Still a further object of the present invention is to provide a laser energy delivery handpiece

Another object of the present invention is to provide a laser energy delivery handpiece that allows the surgeon to precisely target the intended intraocular structures, such as the pars plana and pars plicata, and avoid misdirected applications by positioning it over the sclera in reference to a stable external anatomical landmark such as the limbus.

A further object of the present invention is to provide a laser energy delivery handpiece that helps a surgeon to keep the direction of the laser beam precisely pointed toward the internal intraocular, invisible target.

Yet another object of the present invention is to provide a laser energy delivery handpiece that allows delivery of treatment either with a series of individual precisely-spaced applications and/or with continuously sliding 180° or 360° arc motions

Still another object of the present invention is to provide a laser energy delivery handpiece that allows the surgeon to keep a consistent scleral indentation in order to maximize the transmission of the laser energy through the conjunctiva-sclera layers, and to minimize the variations of the divergence of the laser beam reaching the targeted ciliary body structures, from the posterior pars plicata through the pars plana.

These and other objects of the invention are achieved in a laser energy delivery handpiece characterized by an axis and adapted to receive a fiber optic for laser surgery on a patient's eye. The eye has a shaped sclera, a limbus and an optic axis. Portions define a contact surface that conforms to the shape of the sclera at the limbus when the axis of the handpiece forms a predetermined angle relative to the external surface of the eye. The contact surface conforms to the shape of the sclera at the limbus when the axis of the handpiece is substantially perpendicular to the eye.

In another embodiment of the present invention, a laser energy delivery handpiece receives a fiber optic for laser surgery on an eye and has an input end, an output end, a top,

a bottom and sides. The fiber optic has an optic axis. The eye has a shaped sclera, limbus, and an optic axis. The handpiece includes a body for holding the fiber optic and a contoured end portion. The contoured end portion has an end surface with an opening for the fiber optic. The end surface conforms to the shape of the sclera at the limbus when the optic axis of the fiber optic is substantially perpendicular to the eye.

An aspect of the invention provides a laser treatment method for an eye, the eye having a pars plana posterior to a pars plicata and a pre-laser treatment intraocular pressure. An amount of pulsed laser energy is delivered to the pars plana of the eye. The amount is insufficient to effect therapeutic photocoagulation and is sufficient to maintain a reduction from the pre-laser treatment intraocular pressure. Typically, the amount is sufficient to maintain the reduction from the pre-laser treatment intraocular pressure more than 5 months after the pulsed laser energy is delivered. The amount may be sufficient to increase uveoscleral outflow. The amount of energy will typically be delivered without direct posterior eye pain alleviating agent delivery, and without excessive pain.

Generally, a laser delivery tip of a probe is positioned in contact with an outer surface of the eye and the amount of pulsed laser energy is delivered from the positioned probe so that the pulsed laser energy is oriented toward a first pars plana region and such that permanent thermal damage to the pars plicata is avoided. The eye has an optical axis, and the probe will typically be oriented so that the pulsed laser energy is angularly offset from the optical axis when the tip of the probe is positioned in contact with the surface of the eye. The probe may define a treatment axis along which the pulsed laser energy is delivered, and the probe will typically be positioned so that the treatment axis is generally perpendicular with the surface of the eye when the tip of the probe is positioned in contact with the surface of the eye.

To position the tip of the probe in contact with the surface of the eye, a reference structure of a contact surface of the probe may be positioned in alignment with a reference feature of the eye. The laser delivery tip will be disposed along the contact surface so that the pulsed laser energy is delivered posteriorly to a limbus of the eye by over 2 mm. The first pars plana region to where the pulsed laser energy is delivered may be posterior to the limbus by over 3 mm. The reference feature of the eye will typically comprise the limbus, and the reference structure of the contact surface will typically comprise an edge separated from the laser delivery tip by over 2 mm. The edge extends between opposed lateral placement sides of the contact surface. The pulsed laser energy is delivered to the first pars plana region while the probe is held at a fixed position against the eye. The probe may be incrementally moved laterally, with reference to the sides of the contact surface, around the limbus so as to sequentially treat a plurality of circumferentially offset regions of the pars plana. The offset regions define angular widths about the ocular axis of from 5 to 20 degrees. The pulsed laser energy may be delivered to the first pars plana region for at least about 1 second.

The pulsed laser energy will generally comprise pulsed infrared laser energy, for example, laser energy having a wavelength of 810 nm. The total laser energy directed to the pars plana will generally be less than 75 J. In some embodiments, the pulsed laser energy may be delivered from a plurality of fixed probe locations. Each pulse will typically have an energy of less than 1 mJ, and total laser energy directed to the pars plana may be less than 40 J. The pulsed laser energy will typically have a duty cycle of about 50% or less, or even a duty cycle of about 20% or less.

5

In many embodiments, a first portion of the pulsed laser energy is directed to a first arc about the optical axis of the eye. The first arc will typically be disposed on a superior region of the eye. A second portion of the pulsed laser beam may be directed toward a second arc about the optical axis of the eye, the second arc being spaced away from the first arc and disposed along an inferior region of the eye.

In some cases, the tip of the probe may be positioned in contact with the surface of the eye by sliding the tip of the probe in alignment with the pars plana during delivery of the pulsed laser energy.

Another aspect of the invention provides a method of reducing excessive intraocular pressure in an eye. A pulsed laser beam is transmitted to an annular pattern of tissue regions of an eye by the following steps. A tip of a probe is positioned in contact with the surface of the eye in a position at least 3 mm posterior of the limbus. The pulsed laser beam is directed from the positioned tip of the probe from the position toward an associated tissue region of the eye such that associated tissue region is treated and the coagulation within the eye is inhibited. The tip of the probe is re-positioned in contact with the surface of the eye in another position disposed at least 3 mm posterior of the limbus and circumferentially offset from the treated region about an optical axis of the eye and the pulsed laser beam is again directed from the probe to an associated tissue region until the circumferential series of tissue regions have been treated. The pulsed laser beam is delivered while the probe is maintained at each of the positions toward the associated tissue regions of the eye such that an aggregate amount of the pulsed laser beam delivered to the tissue regions alleviates the excessive intraocular pressure more than five months after the tissue regions have been treated.

Another aspect of the invention provides a method for treating an eye by reducing intraocular pressure. A tip of a probe is positioned in contact with the surface of the eye so that the tip of the probe is posterior the limbus of the eye by a desired distance. The tip of the probe is moved across the surface of the eye while the tip of the probe is maintained at the desired distance posterior the limbus of the eye. Pulsed laser energy is delivered toward a region of the eye posterior to the limbus while the tip of the probe is slid across the eye and maintained in contact with the surface of the eye.

Another aspect of the invention provides a hand-holdable device for delivering optical energy to treat an eye. The device comprises a hand-holdable elongate member and a contact member disposed on an end of the elongate member. The hand-holdable elongate member defines a treatment axis and is adapted to receive an optical fiber for delivering optical energy along the treatment axis. The contact member comprises a reference element and defines a contact surface. The contact surface is placed in direct contact with the eye and the reference element is aligned with a reference feature of the eye. The contact surface conforms with a region of the surface of the eye and the treatment axis forms a predetermined, non-zero angle with the optical axis of the eye.

The contact surface can be placed in direct contact with the eye and the reference element can be aligned with a reference feature of the eye such that the treatment axis is perpendicular to the surface of the eye.

The contact surface will typically conform to the shape of the sclera of the eye at the limbus of the eye when the contact surface is placed in direct contact with the eye and the reference element is aligned with the reference feature of the eye.

The device may further comprise an optical energy source coupled to the elongate member. The delivered optical energy may comprise light energy from one or more light emitting

6

diodes of the optical energy source. Typically, the delivered optical energy may comprise light energy from one or more lasers of the optical energy source. The delivered optical energy may be pulsed and have a duty cycle of about 50% or less or even about 20% or less.

The hand-holdable device will typically be adapted to deliver optical energy to a region of the eye posterior to the limbus when the contact surface is placed in direct contact with the eye and the reference element is aligned with a reference feature of the eye. The region of the eye posterior to the limbus may be selected from the group consisting of the pars plana of the eye, the pars plana—pars plicata junction of the eye, and the posterior portion of the pars plicata of the eye.

The contact surface of the contact member may define a protruding optical energy delivery tip disposed along the treatment axis.

Typically, the reference feature comprises a reference edge shaped to conform with the limbus of the eye.

An optical energy output aperture may be spaced away from the reference edge by at least about 3 mm to facilitate optical irradiation over at least one of the pars plana of the eye, the pars plana-pars plicata junction, and the posterior portion of the pars plicata of the eye.

In many embodiments, the contact surface may comprise a first side relief and a second side relief opposite the first side relief. The first side relief and the second side relief are adjacent the reference element of the contact surface with a width of the contact surface therebetween. The width of the contact surface is sized to contact a treatment region of the eye along a plurality of circumferentially adjacent treatment regions forming an arc centered about the optical axis of the eye. The circumferentially adjacent treatment regions spaced apart from each other by from 5° degrees to 30° degrees, for example, by about 10° degrees.

Another aspect of the invention provides a device for delivering optical energy to treat an eye, the eye having a pars plana. The device comprises a handpiece, a contact member, and a laser tip. A contact member is disposed on an end of the handpiece. The contact member comprises a target tissue reference element and a treatment site spacing reference element and defines a contact surface. The laser delivery tip is adapted to couple with an optical energy source. The laser delivery tip is positioned relative to the target tissue reference element such that when the contact surface is placed in direct contact with an outer surface of the eye with the target tissue reference element aligned with a reference feature of the eye and optical energy is delivered from the laser delivery tip, the optical energy is directed toward the pars plana at an associated treatment site. The laser delivery tip is positioned relative to the treatment site spacing reference element such that a circumferential series of treatment sites are defined when the contact surface is repeatedly placed in direct contact with an outer surface of the eye with the target tissue reference element aligned with a reference feature of the eye and the treatment site spacing reference element aligned with a feature of a prior treatment and delivering an amount of pulsed laser energy to the pars plana of the eye at an associated treatment site. Delivery of an amount of pulsed laser energy from the circumferential series of treatment sites to the pars plana that is insufficient to effect therapeutic photocoagulation can be sufficient to maintain a reduction from the pre-laser treatment intraocular pressure, for example, by increasing uveoscleral outflow.

In another aspect of the invention, a handpiece which is adapted to direct and deliver optical energy in a predetermined direction and is suitable for delivery of optical energy to a patient's eye is provided. The predetermined direction is

defined as the optical axis of the handpiece. The eye has a shaped sclera, a cornea, a limbus, and an optical axis. The handpiece incorporates pieces, portions or features that aid in the repeatable application of the handpiece with respect to certain features of the patient's eye. These reference features may be either permanent or temporary. They are provided with respect to treatment angle or direction of the optical output axis, with the treatment axis essentially not parallel to the optical axis of the patient's eye. They may be provided with one or more of the following parameters: locational position, indentation pressure, or depth spacing between discrete treatment sites.

In many embodiments, the method of delivery of optical energy from its source to its treatment target includes one or more optical fibers.

In many embodiments, the source of optical energy delivered is intended to be one or more lasers.

In many embodiments, the source of optical energy delivered is intended to be one or more light emitting diodes (LEDs).

In many embodiments, the treatment angle/direction is essentially normal, i.e., perpendicular, to the reference surface. The reference surface may be, for example, the sclera or the cornea.

In many embodiments, the feature facilitating placement with respect to a reference surface is one or more curves or facets approximating a portion of a sphere. The feature facilitating placement with respect to a reference surface may be one or more curves or facets approximating a portion of a concave sphere.

In many embodiments, the locational reference is at least partly derived from the limbus, i.e., the ocular region of intersection and transition between the corneal and scleral curves.

In many embodiments, the specific dimensional reference from the limbus is 0 to 4 mm, and may be in a direction anterior or posterior to the limbus.

In many embodiments, the reference for indentation depth or pressure is at least partly derived from the scleral surface.

In many embodiments, the indentation depth measured from the reference surface in its natural position is between 0 and 1.5 mm.

In many embodiments, the reference for indentation depth or pressure is at least partly derived from the corneal surface.

In many embodiments, the reference for spacing between adjacent treatment sites is at least partly derived from one or more previous treatment sites. The spacing between adjacent treatment sites may be such so as to permit 1 to 6 application sites per clock-hour, i.e., 5 to 30 degree angular spacing, or 12 to 72 sites per full treatment circumference.

BRIEF DESCRIPTION OF THE DRAWINGS

FIGS. 1, 2 and 4 illustrate various embodiments of a contact probe of the present invention;

FIG. 3 illustrates elements of the eye in relation to a contact probe of the present invention;

FIG. 5 shows a cross section of a contact probe according to embodiments of the present invention;

FIG. 5A shows a front view of a contact probe according to embodiments of the present invention;

FIG. 6A-6E shows a method of treating the eye using a contact probe according to embodiments of the present invention; and

FIG. 7 shows a chart of exemplary experimental results of a conducted study using devices and methods according to embodiments of the present invention.

DETAILED DESCRIPTION OF THE INVENTION

In embodiments of the present invention, a laser energy delivery handpiece **100** is provided that is specifically designed for the efficient transconjunctival/transscleral delivery of laser energy, for example, infrared laser energy from a pulsed 810 nm diode laser, over the posterior region of the pars plicata, over the pars plana-pars plicata junction, and/or over the pars plana. Optical energy from other sources, for example, light emitting diodes (LEDs), may be delivered as well.

A footprint contact surface **110** of the handpiece **100** is designed so that a fiber optic **120** coupled to the handpiece **100** has a protruding hemispherical tip **125** that is about 3 mm posterior to the limbus at any 360° location, when in normal contact with the conjunctiva/sclera and with the small radius next to the limbus, in particular, the outer edge of the limbus.

The footprint contact surface **110** is designed to ensure a radial orientation of the laser beam so that the laser energy is always directed substantially perpendicular to the conjunctiva/sclera point of indentation.

In various embodiments, the laser beam output tip **125** protrudes from 0.25 mm to 1.0 mm, preferably 0.75 mm, beyond the contact surface.

The indentation of the laser beam output tip **125** maximizes the transmission of infrared laser energy through the conjunctiva and sclera and provides the beam divergence to irradiate all ciliary body structures from the anterior (pars plicata) through the posterior (pars plana) portions of the ciliary body.

The footprint contact surface **110** is designed to allow the surgeon to administer the treatment either with a continuously 360° sliding motion over the conjunctiva overlying the pars plana or, with a series of individual applications with precisely defined angular spacing or radial displacements.

The footprint contact surface **110** can provide a radial displacement of 5° or 10° or 20°, and the like for a treatment density over a 360° radial area at the treatment site with, 72 or 36 or 18 applications respectively. In some embodiments, a lateral edge **160** to an indentation mark of the laser beam output tip **125** spaces each application by 10° over the sclera and allows 36 individual applications in the 360° radial treatment area.

In some embodiments, the footprint contact surface **110** slides around the treatment area while the laser continuously delivers laser energy as opposed to individual spaced applications described in the previous embodiment.

The continuously emitted laser energy that is delivered while the footprint contact surface slides over the sclera can be seen as a paint delivered with a sliding brush.

Both modalities of the prior paragraph are intended to treat the intraocular structures defined by the surgeon. When applied ab-externo with continuously sliding motion, for example in two steady strokes, with an upper 180° in one move and the lower 180° in another move, a low power pulsed laser emission is "painted" over the intended structures, for example, the ciliary body. This provides an irradiation for all pigmented cells in a movement analogous to a paintbrush of photothermal energy sweeping over the eyeball with the power and sweeping time determined by the surgeon.

FIG. 1 illustrates a laser energy delivery handpiece **100** according to embodiments of the present invention. Laser energy delivery handpiece **100** comprises an elongate body **101** and an end portion **130** disposed on one end of the

elongate body **101**. Laser energy delivery hand piece **100** defines a treatment axis **105** and is adapted to receive a fiber optic **120** for laser surgery on a patient's eye E. The eye E has a shaped sclera, a limbus and an optical axis **200**. End portion **130** of the laser energy delivery handpiece **100** define a contact surface **110** that conforms to the shape of the sclera at the limbus when the axis **105** of the handpiece forms a predetermined angle **600** relative to the optical axis **200** of the eye E. The contact surface **110** conforms to the shape of the sclera at the limbus when the axis of the handpiece **100** is substantially perpendicular to the conjunctiva-sclera point of indentation of the eye E.

The contact surface **110** may have a single radius of curvature across the contact surface **110** and no sharp edges.

In some embodiments of the present invention, the laser energy delivery handpiece **100** has an input end, an output end, a top, a bottom and sides. Elongate body **101** holds the fiber optic **120** and end portion **130** is contoured.

In some embodiments, the footprint of the contact surface **110** shows the position of a protruding hemispherical laser beam output tip **125**, or other non-blunt geometry, with respect to a limbal placement edge **115**, e.g., the short side of the contact surface **110**. Limbal placement edge **115** has a contact surface contour that conforms to the limbus and is generally circularly concave with a radius of about 5.25-6.0 mm. The laser beam output tip **125** is, in many embodiments, at 3.0 mm distance from the limbal placement edge **115** to facilitate the optimal irradiation over the eye's pars plana—pars plicata junction and/or over the eye's pars plana, from the limbus 20 points to the anterior portion of the pars plana in the normal anatomy of the human eye as illustrated in FIG. 3.

The two lateral placement contoured edges **160**, e.g., the longer sides of the footprint, indicate a 5°-20°, and more particularly a 10° radial displacement from the laser beam output tip **125**. The edges **160** may comprise side reliefs, one on each edge, extending from contact surface **110**. Also, the edges **160** may each define lines which intersect at the center of curvature of limbal placement edge **115**.

FIG. 2 shows the laser energy delivery handpiece **100** positioned against the eye E with the short limbal placement edge **115** next to the limbus and directing the laser energy radially to the eyeball center over the pars plana-pars plicata junction, generally indicated by the axis **105**. Alternatively, the distance between short limbal placement edge **115** and tip **125** will be such that the laser energy is directed to the eyeball center over the pars-plana or any structure posterior the limbus.

FIG. 3 shows the surgical eye anatomy relevant to the handpiece. This laser therapy may target intraocular structures that span from the posterior pars plicata to the pars plana. Alternatively, the pars plana may be targeted and the pars plicata, ciliary body, and other ciliary processes avoided. The short limbal placement edge **115** is always kept next to the external limbus line (CLJ cornea-limbus junction). In this way, protrusion of the laser output tip **125**, which is about 3 mm posterior the limbus, directs a diverging beam that irradiates a large portion of the posterior pars plicata and anterior pars plana. Alternatively, the laser output tip **125** may be spaced away from the short limbal placement edge **115** such that laser output tip **125** directs a diverging beam that irradiates the pars plana while avoiding the posterior pars plicata.

FIG. 5 shows a cross section of laser energy delivery handpiece **100**. Laser energy delivery handpiece **100** comprises elongate body **101** and end portion **130**. Handpiece **100** defines treatment axis **105** and houses fiber optic **120** so that fiber optic **120** directs optical energy along treatment axis **105**. End portion **130** comprises a contoured surface **110**

having a radius of curvature shaped to conform with the shape of the sclera of the limbus of the eye when surface **110** is placed in contact with the surface of the eye E. As shown in FIG. 5A, contoured surface **110** comprises lateral edges **160** and a limbal placement edge **115**. Laser energy is delivered from protruding tip **125** protruding from contoured surface **110**. Protruding tip **125** is spaced away from limbal reference edge **115** at a predetermined distance, usually about 3 mm, e.g. 3.4 mm, from limbal reference edge **115**. The limbus of the eye E can serve as a reference point for the placement of handpiece **100**. Limbal reference edge **115** is placed adjacent the outward facing edge of the limbus such that opening **125** directs laser energy over the pars plana and/or pars plana-pars plicata junction and treatment axis **105** is parallel to the surface of the eye.

FIGS. 6A-6E show an exemplary method of using laser energy delivery handpiece **100** to delivery laser energy to treat an eye. As shown in FIG. 6A, handpiece **100** is positioned at a first treatment site so that contoured surface **110** is in contact with the sclera of the eye E and limbal reference edge **115** is adjacent the limbus, the region of the eye between the cornea and the sclera. Treatment axis **105**, as defined by handpiece **100**, forms a predetermined angle, for example, a 40° degree angle, with optical axis **200** of the eye E. Tip or opening **125** is spaced posterior the limbus with a distance **505** which may be, for example, about 3 mm. Laser energy is directed through tip or opening **125** to direct laser energy to the pars plana.

In an exemplary embodiment, the directed laser energy comprises pulsed laser energy from an infrared laser that can be operated in pulsed as well as continuous wave emission modes. For example, the pulsed continuous wave infrared laser has about a 30% duty cycle, with an "on" time of about 500 μs and an "off" time of about 1100 μs, about a 15% duty cycle, with an "on" time of about 300 μs and an "off" time of about 1700 μs, or about a 10% duty cycle, with an "on" time of about 200 μs and an "off" time of about 1800 μs. Careful selection of the laser energy pulse "on" and "off" times can avoid undesired thermal damage to a target by allowing the target to cool during the "off" time of the laser before the next pulse of laser energy is delivered during the "on" time. The duty cycle may be selected so that cumulative thermal buildup, caused by insufficient cooling during the "off" time of the laser beam, is avoided. Thus, laser damage can be reduced to a minimum level sufficient to trigger a biological response needed for lowering of intraocular pressure (IOP).

In the exemplary procedure described with reference to FIGS. 6A-6E, a duty cycle of 15% is used. The power of the laser is set at 1500 mW and the pulse "on" time is 300 ms.

As shown in FIG. 6B, laser energy is directed toward a first application site **601**. Afterwards, handpiece **100** is repositioned, for example, by moving handpiece **100** over, to a second treatment region adjacent the first treatment region. Handpiece **100** may be moved by sliding it over to the second treatment region from the first treatment region while maintaining contact surface **110** in contact with the surface of the eye. Or, handpiece **100** may be removed from contact from the surface of the eye at the first position and placed in contact with the eye again at the second position. Edges **160** may have side reliefs which may indent the surface of the eye, with the indentations providing a reference to help reposition handpiece **100**. At the second position, handpiece **100** is again positioned so that limbal reference edge **115** is adjacent the limbus.

As shown in FIG. 6C, laser energy is directed toward a second application site **602**. Thus, first site **601** and second site **602** are equidistant from the optical axis **200** of the eye E. This process of repositioning handpiece **100** and directing

11

laser energy toward the pars plana is repeated for a third spot, a fourth spot, and so forth. For example, as shown in FIG. 6D, laser energy is directed toward a first treatment site at 320° on a right eye, then toward a second treatment site at 330°, and then successively clockwise every 10° until a site at 90°, e.g., toward sites at 340°, 350°, 360°, 10°, 20°, 30°, 40°, 50°, 60°, 70°, 80°, and then 90°, thereby creating a first 130° arc of treatment sites on the superior side of the eye E. Thus, a series of individual applications with precisely defined angular spacing or radial displacements are made. A second 130° arc of treatment sites on the inferior side of the eye E may then be created, starting from directing laser energy toward the site at 220° and then toward successively counter-clockwise sites every 10° until a site at 100°.

As shown in FIG. 6E, a similar procedure of directing laser energy toward a plurality of treatment points can be made on the left eye. Laser energy is directed toward a point at 40° and then successively counterclockwise until a point at 270°, creating a first 130° arc of treatment points. Then, laser energy can be directed toward a point at 140° and then successively clockwise every 10° until a point at 260°. In some embodiments, laser energy may be exposed to each point for about 1.0 seconds at a power of 1.5 W. The duty cycle of the laser energy may be 10%, with an "on" time of about 200 μ s and an "off" time of about 1800 μ s for each pulse of a train of about 500 pulses delivered to each application site with about 1.0 second exposure durations. The eye E may also be treated at more or less treatment points at different areas, for example, the eye E may be treated so that a superior arc and an inferior arc of each of 150° or even 180° can be created. For example, 20 stationary applications over 360° may be made, with 5 stationary applications per quadrant. Treatment points may also be alternatively spaced apart from each other by other angles besides 10°, for example, by providing handpieces with different distances between edges 160. The pulsed laser systems and methods may comprise a MicroPulse™ Laser System and method.

In other embodiments, handpiece 110 may be slid or "painted" over a targeted region of the eye all the while laser energy is being emitted. For example, tip 115 may first be positioned about 3 mm posterior the limbus at the 10 o'clock or 300° position of the eye and gradually slid clockwise until the 2 o'clock or 60° position, all the while exposing the targeted region of the eye, e.g., the pars plana, with pulsed laser energy. Thus, if the width of surface 110 spans 30°, a superior treatment arc of 150° can be created. A inferior treatment arc of 150° can likewise be created by positioning tip 115 about 3 mm posterior the limbus at the 8 o'clock position or 240° and gradually sliding handpiece 110 until it reaches the 4 o'clock position or 120°, all the while exposing the targeted region of the eye, e.g., the pars plana, with pulsed laser energy. In exemplary embodiments, the duration of laser energy exposure for each treatment arc may be 50 seconds and the power of the laser may be 2 Watts. A total of 31,250 pulses at a rate of 625 pulses per second may be made during the 50 seconds. Each pulse may have an energy of 1.0 mJ. The size of the treatment arcs may vary. The treatment arcs, for example, may comprise a 180° superior arc and a 180° inferior arc.

EXPERIMENTAL SECTION

Experiment A

An initial study using a handpiece with a contact probe similar to those described above was conducted at the National University Hospital in Singapore. In the study, treat-

12

ment procedures similar to those described above were conducted on a number of glaucomatous eyes. This initial study tracks glaucomatous eyes for about 6 months, the treated eyes being treated with the aforementioned handpiece and a treatment procedure using pulsed laser energy.

Patients with advanced glaucoma refractory to maximum tolerated medical and surgical treatment and a visual acuity of worse than 6/60 were included in the study. Patients with recent eye surgery within 3 months of enrollment, active ocular inflammation or inability to give informed consent were excluded.

The procedure was performed by a single surgeon to patients under local anesthesia. The contact probe was designed for accurate positioning of a fiber optic at 3.4 mm behind the limbus of the eye.

The laser settings were 2000 mW, applied over a total duration of 100 s, with a pulse duration of 0.6 s and a pulse interval of 1.1 s. Shots were applied over 360° avoiding the 3 o'clock and 9 o'clock regions and any areas of thinning.

The main outcome measure was success of treatment, defined as a 30% or more reduction of IOP from baseline or an IOP of less than 21 mm Hg at 6 month follow-up.

23 eyes of 23 patients were treated. The patients had a mean age of 62.9 \pm 20.3 years. The mean duration of follow-up was 5.3 \pm 1.5 months. The mean pre-treatment IOP was 37.1 \pm 9.5 mm Hg.

TABLE 1 below summarizes mean IOP before and after treatment at 1 day, 1 week, 1 month, 3 months, and 6 months post-op. All mean post-treatment IOPs were significantly lower than the pre-treatment IOPs (paired Student's t-test, p<0.001).

TABLE 1

POST-OP IOP MEASUREMENTS		
Time Point	Meant IOP (mm Hg)	Mean IOP Reduction (%)
Baseline	37.1 \pm 9.5	—
1 day post-op	28.7 \pm 10.8	24.0 \pm 17.1
1 week post-op	25.6 \pm 9.8	30.9 \pm 18.7
1 month post-op	22.2 \pm 7.0	38.2 \pm 19.6
3 months post-op	22.9 \pm 8.9	35.4 \pm 24.2
6 months post-op	23.7 \pm 9.7	37.6 \pm 19.4

The rate of success of the treatment was defined as a 30% or more reduction from baseline or a final IOP of less than 21 mm Hg at the 6th month follow-up visit. The success rate was 38% at 1 day, 57% at 1 week, 76% at 1 month, 80% at 3 months and 69% at 6 months. None of the patients had hypotony or loss in their best corrected visual acuity.

Experiment B

A similar study using a handpiece with a contact probe similar to those described above was conducted also at the National University Hospital in Singapore. In the study, treatment procedures using pulsed laser energy similar to those described above were conducted on a number of glaucomatous eyes. This study tracks the treated eyes for up to 18 months.

The MicroPulse™ procedure was performed by a single surgeon in the outpatient setting. Regional anesthesia with peribulbar or retrobulbar injection of 2% lidocaine was given prior to the procedure. Scleral transillumination was used to identify the position of the ciliary body as well as any areas of thinning. A diode laser emitting ball-lens tip contact probe, which is similar to those described above, was applied axially

at the limbus. This probe housed a quartz fiberoptic of 600 μm in diameter. Its end protrudes 0.7 mm from the handpiece. The probe was specifically designed to allow positioning of the fiberoptic at 3.4 mm behind the surgical limbus, i.e., the distance from the reference edge of the contact surface of the probe to the fiberoptic was 3.4 mm. The laser settings were 2000 mW, over a total duration of 100 s, with a train of repetitive pulses each with a pulse duration of 0.5 ms and a pulse interval of 1.1 ms. The treatment was applied by “painting” or uniformly sliding the probe over 360°, avoiding the 3 and 9 o’clock meridians and any area of thinned sclera. Total energy delivered to the ciliary body was 60-90 J.

The amount of intraoperative pain experienced by the patient was recorded and additional regional anesthesia was administered as required. Postoperatively, topical prednisolone acetate 1% was prescribed four times daily along with oral mefenamic acid for 5 days. Follow-up examinations were performed at 1 day, 1 week, 1 month, 3 months, 6 months, 12 months, and 18 months. Pain scoring, visual acuity, Goldman 20 applanation tonometry, slit lamp biomicroscopy and dilated fundus examinations were carried out at every visit. Retreatment over 360 degrees was performed between 1 to 3 months if IOP reduction was less than 20%.

Statistical analysis was performed using SPSS software version 15.0. Means were compared using the two-tailed paired Student’s t-test, with p<0.05 being considered significant.

46 eyes of 44 patients were evaluated in this study. The mean age of the patients was 63.2±16.0 years. There were 36 men (81.8%). Right eyes of 17 (38.6%) patients, left eyes of 23 (52.3%) patients and both eyes of 2 patients underwent MicroPulse™ treatment with TSCPC. TABLE 2 below shows the distribution of glaucoma diagnoses. Four eyes received retreatment between 1 to 3 months after the initial laser.

TABLE 2

DISTRIBUTION OF GLAUCOMA DIAGNOSES	
Type of Glaucoma	No. (%)
Neovascular glaucoma	17 (38.6%)
Primary open angle glaucoma	10 (22.7%)
Primary angle closure glaucoma	10 (22.7%)
Others	7 (16.0%)

TABLE 3 below summarizes mean IOP before and after treatment at 1 day, 1 week, 1 month, 3 months, 6 months, 12 months, and 18 months post-op. All mean post-treatment IOPs were significantly lower than the pre-treatment IOPs (paired Student’s t-test, p<0.001). The mean duration of follow-up was 16.2±4.5 months.

TABLE 3

POST-OP IOP MEASUREMENTS		
Time Point	Mean IO (mm Hg)	Mean reduction in IOP from baseline (%)
Baseline	39.1 ± 12.7	—
1 day	31.1 ± 13.5	21.6
1 week	28.1 ± 12.1	28.1
1 month	27.6 ± 12.8	28.4
3 months	27.2 ± 12.8	23.5
6 months	26.0 ± 13.4	27.2
12 months	26.5 ± 12.6	27.3
18 months	26.9 ± 11.8	30.5

As shown in FIG. 7, the decrease in IOP appears to be gradual and sustained over 6 months. All patients who required systematic acetazolamide (n=6) prior to the treatment were able to discontinue the drug by the first postoperative day. The mean number of topical anti-glaucoma medication was reduced from 1.8±1.1 to 1.4±1.1 at 6 months follow up (p=0.003).

During the procedure, 15 patients (34.0%) reported some pain but found it to be tolerable and did not require additional anesthesia. Two patients (4.0%) required additional regional anesthesia. Post procedure, 7 patients (15.9%) reported mild pain on the first day. None required oral analgesia beyond the first day of treatment. All patients had mild postoperative inflammation at day 1 in the form of 1+ anterior chamber cells with slight conjunctival hyperemia. This inflammation resolved by 2 weeks post treatment in 40 patients (90.9). None of the patients experienced deterioration of their best-corrected visual acuity at final follow-up. One patient who had no light perception before the MicroPulse™ procedure underwent evisceration at 1 month for corneal perforation secondary to infection of a pre-existing bulbous keratopathy. No patient developed hypotony, defined as an IOP of less than 5 mm Hg.

The IOP lowering efficacy of the studied method is comparable to conventional ciliary body photo-coagulation. The rapidity of IOP reduction, seen as early as 1-day post treatment, is an additional advantage over traditional laser treatment. The rapid reduction in IOP seen may be due to enhanced outflow facility from the uveal and suprachoroidal spaces as the novel probe targets the ciliary body epithelium of the pars plicata and/or the pars plana. Low laser pulses allow for repetitive series of sub-threshold intensity pulses of energy to be delivered with rest periods in between. “Painting” may also allow for a more even distribution of treatment and effect compared to conventional laser treatment over stationary application sites. A biological response may be triggered to lower IOP and yet excessive thermal damage to the ciliary epithelium and processes is avoided, as seen in histological specimens after conventional laser treatment. The limitation of adjacent tissue damage seen in the MicroPulse™ procedure may also explain the absence of complications such as hypotony.

It is to be understood that the above description is intended to be illustrative and not restrictive. Many embodiments will be apparent to those of skill in the art upon reviewing the above description. The scope of the invention should, therefore, be determined with reference to the appended claims, along with the full scope of equivalents to which such claims are entitled.

What is claimed is:

1. A laser treatment method for an eye, the eye having an optical axis, a pars plana posterior to a pars plicata and a pre-laser treatment intraocular pressure, the method comprising:

positioning a probe in contact with an outer surface of the sclera of the eye so that a laser energy delivery tip of the probe is oriented transverse to the outer surface of the sclera toward the pars plana of the eye to define a treatment axis that is angularly offset from the optical axis of the eye;

directing an amount of pulsed laser energy from the oriented laser energy delivery tip of the probe to the pars plana of the eye to a first application site in a target region, wherein the amount is not sufficient to effect therapeutic photocoagulation and is sufficient to maintain a reduction from the pre-laser treatment intraocular pressure; and

15

repositioning the probe to a plurality of additional application sites while maintaining an orientation of the probe at each application site so that the laser energy delivery tip is transverse to the outer surface of the sclera toward the pars plana with a treatment axis angularly offset from the optical axis of the eye; wherein the amount of pulsed laser energy includes multiple pulses directed to the pars plana at additional application sites in the target region and the energy is delivered such that permanent-thermal damage to the pars plicata is avoided.

2. The method of claim 1, wherein the amount is sufficient to maintain the reduction from the pre-laser treatment intraocular pressure more than 5 months after the pulsed laser energy is delivered.

3. The method of claim 1, wherein the amount of pulsed laser energy is sufficient to increase uveoscleral outflow so as to maintain the reduction from the pre-treatment intraocular pressure.

4. The method of claim 1, wherein the treatment axis is generally perpendicular with the outer surface of the sclera of the eye.

5. The method of claim 1, wherein positioning the tip of the probe in contact with the outer surface of the eye comprises positioning a reference structure of a contact surface of the probe in alignment with a reference feature of the eye, the laser delivery tip being disposed along the contact surface so that the pulsed laser energy is delivered posteriorly to a limbus of the eye by over 2 mm.

6. The method of claim 5, wherein the first pars plana region is posterior to the limbus by over 3 mm.

7. The method of claim 5, wherein the reference feature of the eye comprises the limbus, and wherein the reference structure of the contact surface comprises a feature separated from the laser delivery tip by over 2 mm, wherein the feature extends between opposed lateral placement sides of the contact surface, and wherein the pulsed laser energy is delivered to the first pars plana region while the probe is held at a fixed position against the eye, and further wherein repositioning the probe at the additional application sites in the target region includes incrementally moving the probe laterally, with reference to the contact surface, along the limbus so as to sequentially treat a plurality of circumferentially offset regions of the pars plana, the offset regions defining angular widths about the ocular axis of from 5 to 20 degrees.

8. The method of claim 5, wherein the reference feature of the eye comprises the limbus, and further wherein repositioning the probe at the additional application sites in the target region includes moving the probe in a sliding motion along the limbus so as to treat an arc region using a superior sweeping stroke and an inferior sweeping stroke.

9. The method of claim 1, wherein the pulsed laser energy is delivered to the first pars plana region of the eye for at least about 1 second.

16

10. The method of claim 1, wherein the pulsed laser energy comprises pulsed infrared laser energy and total laser energy directed to the pars plana is less than 75 J.

11. The method of claim 1, wherein the pulsed laser energy is delivered from a plurality of fixed probe locations, wherein the pulsed laser energy has a wavelength of 810 nm, wherein each pulse has an energy of less than 1 mJ, and wherein total laser energy directed to the pars plana is less than 40 J.

12. The method of claim 1, wherein the pulsed laser energy has a duty cycle of about 50% or less.

13. The method of claim 12, wherein the pulsed laser energy has a duty cycle of about 20% or less.

14. The method of claim 1, wherein a first portion of the pulsed laser energy is directed to a first arc about the optical axis of the eye.

15. The method of claim 14, wherein the first arc is disposed on a superior region of the eye.

16. The method of claim 14, further comprising directing a second portion of the pulsed laser beam toward a second arc about the optical axis of the eye spaced away from the first arc, the second arc being disposed along an inferior region of the eye.

17. The method of claim 1, wherein positioning the tip of the probe in contact with the surface of the eye comprises sliding the tip of the probe in alignment with the pars plana during delivery of the pulsed laser energy.

18. The method of claim 1, wherein the amount of pulsed laser energy is delivered without direct posterior eye pain alleviating agent delivery, and without excessive pain.

19. The method of claim 1, wherein the pulsed laser energy is delivered from a plurality of fixed probe locations, wherein each pulse has an energy of about 2 mJ, and wherein the total laser energy directed to the pars plana is between about 40 J and 100 J.

20. The method of claim 1, wherein the pulsed laser energy is delivered from a plurality of fixed probe locations, and wherein the total laser energy directed to the pars plana is less than 75 J.

21. The method of claim 1, wherein the probe is positioned in contact with the sclera of the eye so that the laser energy delivery tip of the probe is oriented through the contacted sclera toward the pars plana of the eye.

22. The method of claim 1, further comprising maintaining an orientation of the probe so that the pulsed energy from the probe is directed with a transcleral orientation.

23. The method of claim 1, wherein the additional application sites are discrete with one another and with the first application site in the target region.

24. The method of claim 1, wherein the additional application sites are contiguous with one another and with the first application site in the target region.

* * * * *